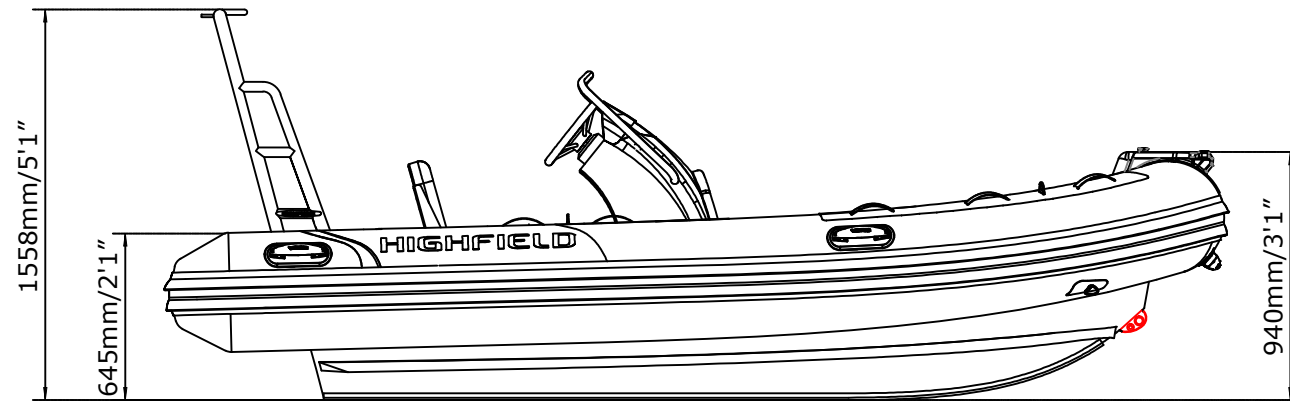
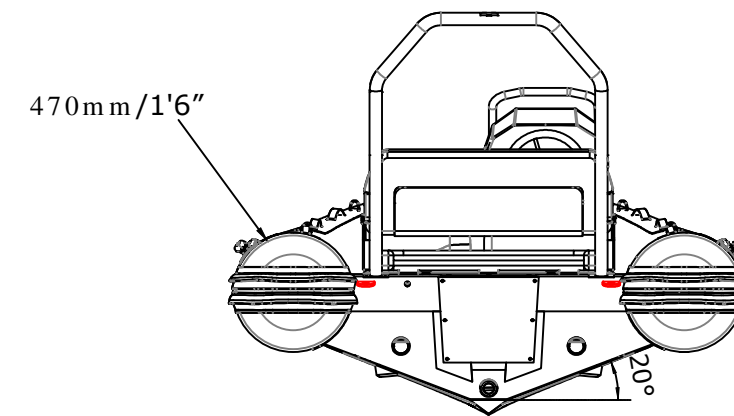


OCEAN MASTER 420

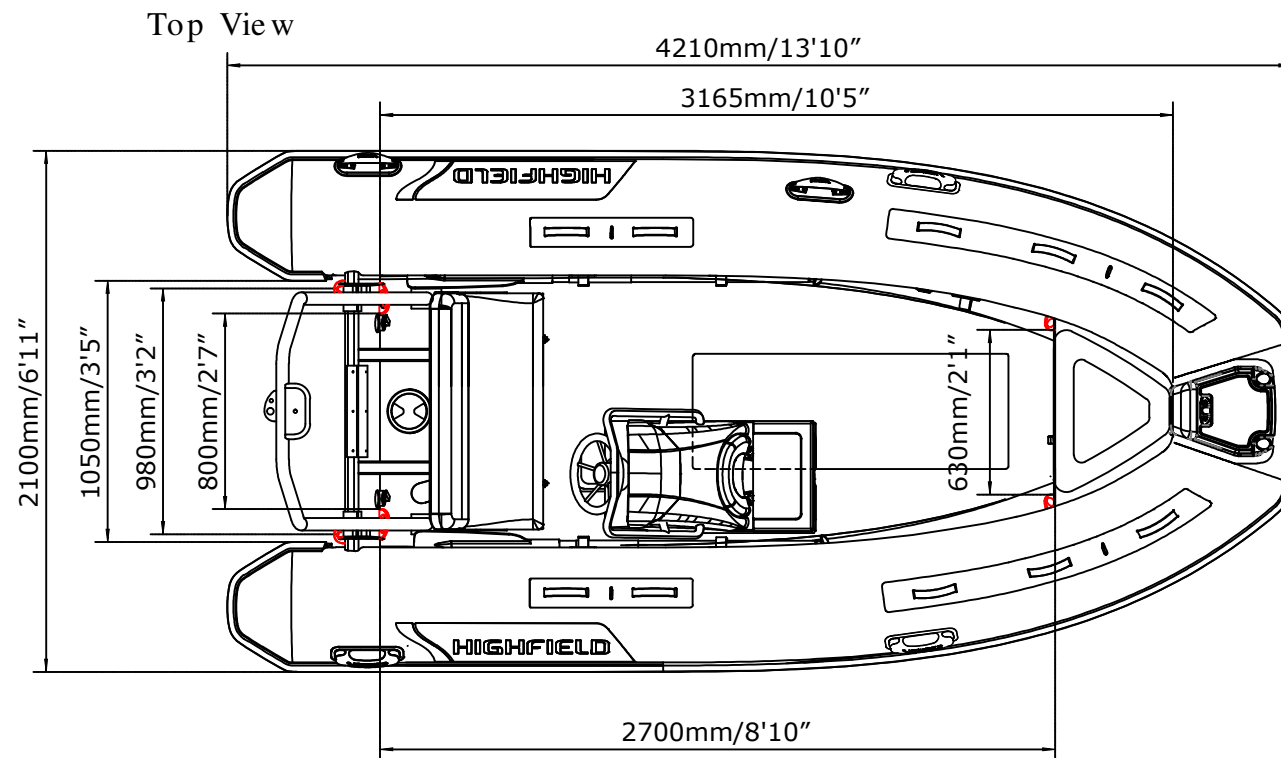
SPECIFICATIONS



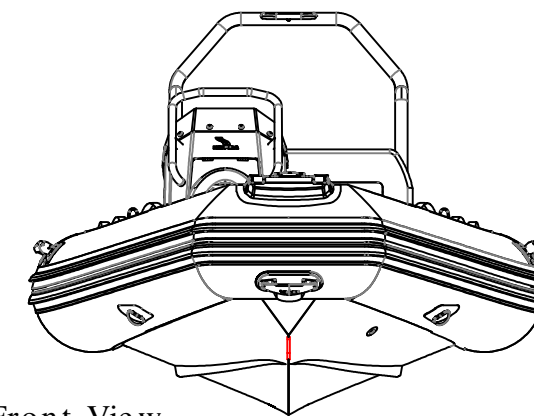
Side View



Rear View



Top View



Front View

MODEL	ISO 5185 PART	ISO 5185															Wet Weight (Approximate) 60HP (45KW) + Fuel		AIR CHAMBERS					
			KG	LB	#	KG	LB	Length	KG	LB	Maximum		Recommended	Maximum Speed			KG	LB		KG	LB	PSI	BAR	
OM420	3	C	813	1793	8	600	1323	L	161.7	356	44.76	60	29.84	40	/	/	/	262	578	451.7	994.2	4	3.63	0.25

Weight includes: console, seat, rollbar